

Fuse Replacement

⚠️⚠️ Warning

To prevent possible electrical shock, fire, or personal injury:

- Change fuse immediately when blown.
- Voltage readings with blown fuse are approximate. See Table 3.
- Before and after each measurement, verify fuse integrity by checking continuity of the Fused Test Probe.
- Current mode is non-functional with blown fuse.

To replace a fuse:

1. Unscrew the probe handle at finger guard, see Figure 1.

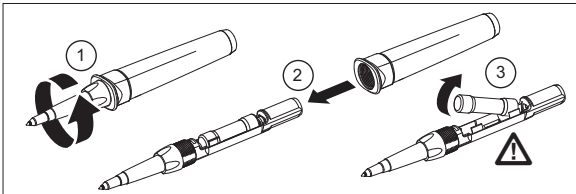


Figure 1. Fuse Replacement

⚠️ Caution

For safety, use exact replacement only.

2. Remove the probe handle.
3. Remove the fuse.
4. Replace fuse. Use only Fluke part number 803293.
5. Screw the probe handle back into place.

Maintenance

Clean with a soft towel moistened with water and mild detergent. Do not immerse in liquid.

Specifications

- Built-in 1000 V, 11 A fuses with 20 kA interrupt rating
- Operating temperature: -20 °C to +50 °C (-5 °F to 120 °F)
- Conforms to EN/IEC 61010-031:2002+A1:2008
- CAT II 1000 V without protective probe cap installed
- CAT III 1000 V, Cat IV 600 V with protective probe cap installed
- 10 A maximum, Pollution Degree 2
- Altitude: 2000 meters

FLUKE®

FTP/UK Fused Test Probe Set Instruction Sheet

Introduction

The Fluke FTP/UK is a CAT III 1000V/CAT IV 600V Fused Test Probe Set that is used with the Fluke 1650 Series of Installation Testers. The Test Probe Set complies with GS38 and EN/IEC 61010-031:2002 +Amendment 1:2008 and uses 11 A 1000 V fuses.

The Test Probe Set includes:

- (1) red fused test probe
- (1) blue fused test probe
- (1) green fused test probe
- (5) probe adaptors (2 are spare)
- (2) spare lantern springs
- (2) spare GS38 probe caps

How to Contact Fluke

To contact Fluke, call one of the telephone numbers that follow:

- Technical Support USA: 1-800-99-FLUKE (1 800 993 5853)
- Calibration/Repair USA: 1-888-99-FLUKE (1 888 993 5853)
- Canada: 1-800-36-FLUKE (1-800-363-5853)
- Europe: +31 402-675-200
- Japan: +81-3-3434-0181
- Singapore: +65-738-5655
- Anywhere in the world: +1-425-446-5500

Or, visit Fluke's website at www.fluke.com.

To register your product, visit <http://register.fluke.com>.

To view, print, or download the latest manual supplement, visit <http://us.fluke.com/usen/support/manuals>.

PN 3999608







April 2011

© 2011 Fluke Corporation. All rights reserved. Printed in Taiwan.

Precautions and Safety Information

A **Warning** identifies conditions and actions that pose hazards to the user. A **Caution** identifies conditions and actions that may damage the product or the test instruments. Symbols used on the product and in this instruction sheet are explained in Table 1.

Table 1. Symbols

Symbol	Description
	Fuse
	Double Insulated.
	Risk of Danger. Important information.
	Hazardous voltage. Risk of electrical shock.
	Canadian Standards Association. Complies with applicable North American standards.
	Conforms to relevant European standard.
CAT II	CAT II equipment is designed to protect against transients from energy-consuming equipment supplied from the fixed installation, such as TVs, PCs, portable tools, and other household appliances.
CAT III	CAT III equipment is designed to protect against transients in equipment in fixed-equipment installations, such as distribution panels, feeders and short branch circuits, and lighting systems in large buildings.
CAT IV	CAT IV equipment is designed to protect against transients from the primary supply level, such as an electricity meter or an overhead or underground utility service.

Warning

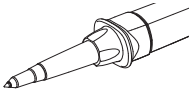
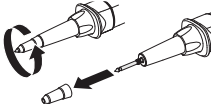
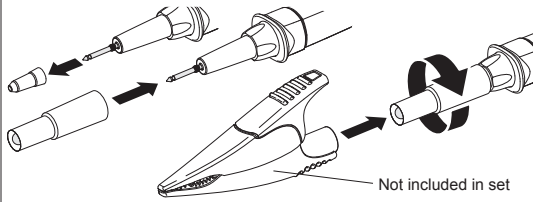
To prevent possible electrical shock, fire, or personal injury:

- Read all safety Information before you use the product.
- Use the product only as specified, or the protection supplied by the product can be compromised.
- Do not use the product around explosive gas, vapor, or in damp or wet environments.
- Check test probes for continuity.
- Do not exceed the Measurement Category (CAT) rating of the lowest rated individual component of a product, probe, or accessory.
- Replace a blown fuse with exact replacement only.
- Do not operate the product with covers removed or the case open. Hazardous voltage exposure is possible.

Configurations

The Test Probe Set has three configurations and ships as shown in Configuration 1, see Table 2.

Table 2. Configurations

1	CAT III, CAT IV Measurement with Probe Tip. FTP Probe body, 4 mm lantern spring threaded onto 2 mm probe tip, GS38 cap pressed over to achieve 4mm tip exposure.	
2	CAT II Measurement with Probe Tip. GS38 cap removed from configuration 1 for full exposure of probe tip or probe tip without lantern spring.	
3	CAT III, CAT IV Measurement with Alligator Clips. FTP probe, thread the adapter piece onto FTP probe in the 2 mm stage (lantern spring removed), push on the alligator clip securely for a firm connection.	

Fuse Information

The Test Probe Set provides added measurement protection and allows indication of live voltage even with a blown fuse. Replacement fuse is Fluke P/N 803293, 11 A, 1000 V 20 kA Interrupt rating.

Blown Fuse Indication

If a fuse is blown, the 1 MΩ resistor in parallel still allows a voltage measurement. With a blown fuse the voltage measurement will be inaccurate, but is enough of a reading to indicate to the user the presence of voltage. Current mode is non-functional with a blown fuse. Table 3 lists the voltage variation with a blown fuse.

Table 3. Voltage Reading with Blown Fuse

Actual Voltage	Input	Voltage Reading with Blown Fuse	Error
480 V @ 50 Hz	L-PE	127 V	74 %
480 V @ 50 Hz	L-N	370 V	23 %
480 V @ 50 Hz	N-PE	360 V	25 %